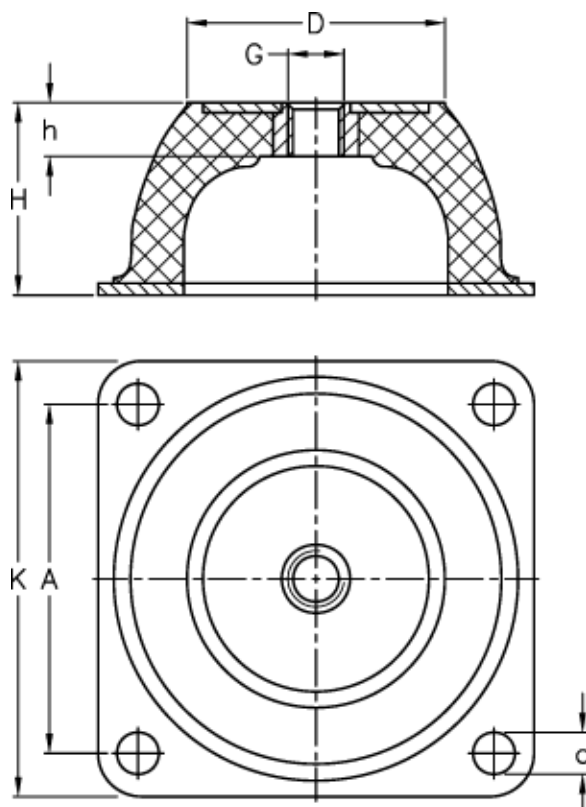


Article number: 51835435160010

Description: Vibration damper VIBR M0600

Measures



A	= 160	Max. (kg) 60 degrees C = 750
D	= 100	
d	= 14.5	
G	= M16	
H	= 85	
h	= 25	
K	= 200	
Max. (kg) 40 degrees C	= 380	